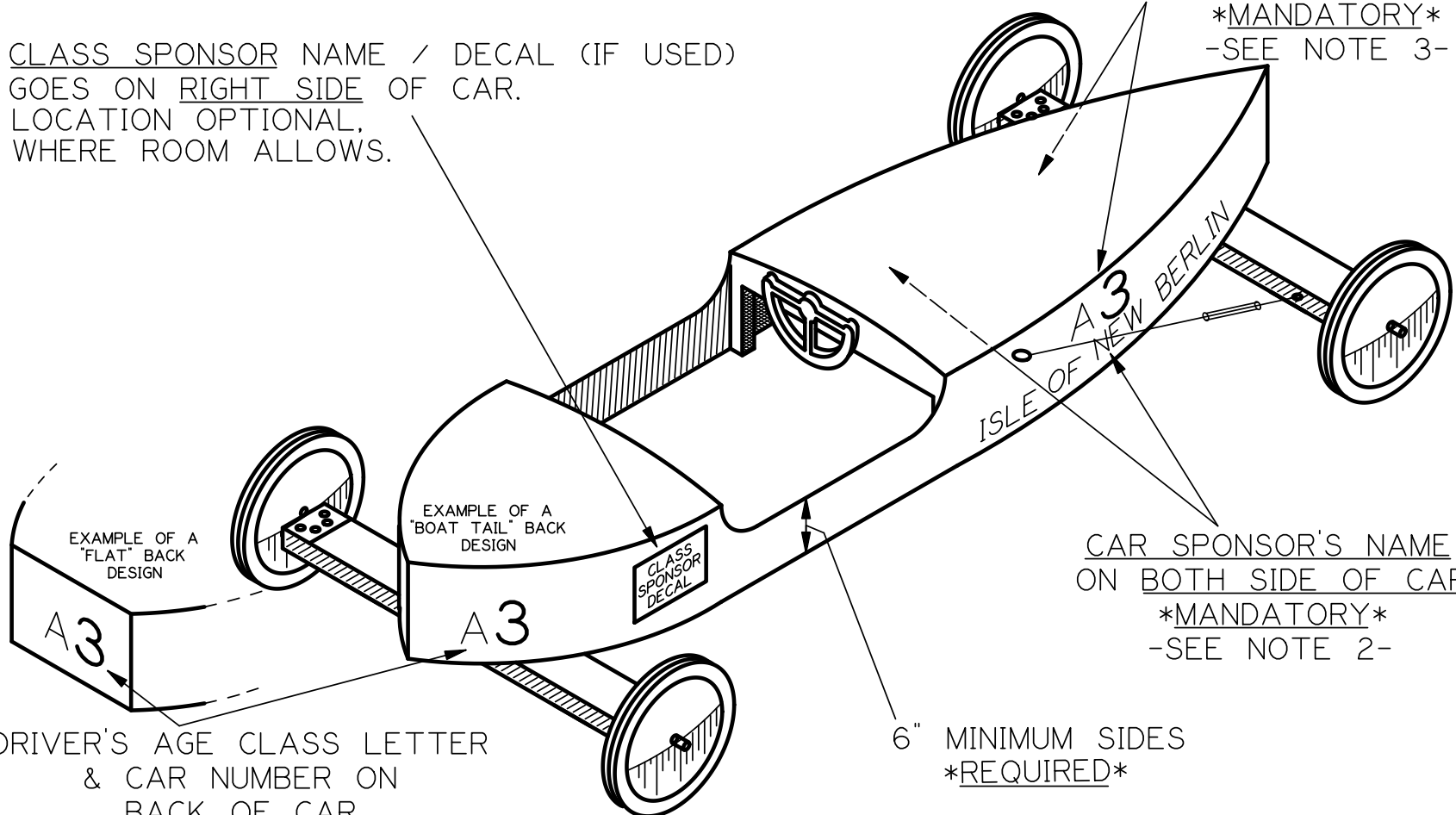


CLASS SPONSOR NAME / DECAL (IF USED)  
GOES ON RIGHT SIDE OF CAR.  
LOCATION OPTIONAL,  
WHERE ROOM ALLOWS.

DRIVER'S AGE CLASS LETTER  
& CAR NUMBER ON  
BOTH SIDES OF CAR  
\*MANDATORY\*  
-SEE NOTE 3-



CAR SPONSOR'S NAME  
ON BOTH SIDE OF CAR  
\*MANDATORY\*  
-SEE NOTE 2-

DRIVER'S AGE CLASS LETTER  
& CAR NUMBER ON  
BACK OF CAR  
\*MANDATORY\*

6" MINIMUM SIDES  
\*REQUIRED\*

(EXAMPLES SHOWN FOR "FLAT" BACK & "BOAT TAIL" BACK)

NOTES:

1. CAR BODY DESIGN OPTIONAL
2. CAR SPONSOR'S NAME: BOTH SIDES OF CAR. MINIMUM LETTER HEIGHT IS 2". READABLE FROM 10 FEET.
3. CLASS LETTER: BOTH SIDES & ON BACK. MINIMUM HEIGHT IS 2".  
CAR NUMBER: BOTH SIDES & ON BACK. MINIMUM HEIGHT IS 4".  
BOTH READABLE FROM 10 FEET.

NEW BERLIN SOAP BOX DERBY COMMISSION		
RACE CAR DRIVER'S AGE CLASS LETTER, CAR NUMBER AND SPONSOR NAME SPECIFICATIONS		
SCALE: NONE	FIGURE 1	05/10/11